

## ELLIPTICAL GUIDE



### ELLIPTICAL GUIDE

English 3

### GUIDE DE L'EXERCISEUR ELLIPTIQUE

Français 9

### GUÍA DE LA MÁQUINA ELÍPTICA

Español 15





3	ENGLISH
9	FRANÇAIS
15	ESPAÑOL



## SAVE THESE INSTRUCTIONS

Read the OWNER'S GUIDE before use. When using an electrical product, basic precautions should always be followed, including the following: Read all instructions before using this equipment. It is the responsibility of the owner to ensure that all users of this equipment are adequately informed of all warnings and precautions. If you have any questions after reading this guide, contact Customer Tech Support.

It is essential that this equipment is used only indoors, in a climate-controlled room. If your exercise equipment has been exposed to colder temperatures or high moisture climates, it is strongly recommended that this equipment is warmed up to room temperature prior to use.

This equipment is intended for in-home use only. Do not use this equipment in any commercial, rental, school or institutional setting. Failure to comply will void the warranty.

## WARNING

### TO REDUCE THE RISK OF BURNS, FIRE, ELECTRICAL SHOCK OR INJURY TO PERSONS:

- Use this equipment only for its intended use as described in this guide and in the equipment's Owner's Manual.
- At NO time should children under the age of 14 use the equipment.
- At NO time should pets or children under the age of 14 be closer to the equipment than 10 feet / 3 meters.
- This equipment is not intended for use by persons with reduced physical, sensory or mental capabilities, or lack of experience and knowledge, unless they are supervised or have been given instruction concerning use of the equipment by a person responsible for their safety.
- Always wear athletic shoes while using this equipment. NEVER operate the exercise equipment with bare feet.
- Do not wear any clothing that might catch on any moving parts of this equipment.
- Heart rate monitoring systems may be inaccurate. Over exercising may result in serious injury or death.
- If you experience any kind of pain, including but not limited to chest pains, nausea, dizziness, or shortness of breath, stop exercising immediately and consult your physician before continuing.
- Do not jump on the equipment.
- At no time should more than one person be on the equipment.
- Set up and operate this equipment on a solid level surface.
- Never operate the equipment if it is not working properly or if it has been damaged.
- Use handlebars to maintain balance when mounting and dismounting, and for additional stability while exercising.
- To avoid injury, do not expose any body parts (for example, fingers, hands, arms or feet) to the drive mechanism or other potentially moving parts of the equipment.
- Connect this exercise product to a properly grounded outlet only.
- This equipment should never be left unattended when plugged in. When not in use, and prior to servicing, cleaning, or moving equipment, turn off power, then unplug from outlet.
- Do not use any equipment that is damaged or has worn or broken parts. Use only replacement parts supplied by Customer Tech Support or an authorized dealer.
- Never operate this equipment if it has been dropped, damaged, or is not working properly, has a damaged cord or plug, is located in a damp or wet environment, or has been immersed in water.
- Keep power cord away from heated surfaces. Do not pull on this power cord or apply any mechanical loads to this cord.
- Do not remove any protective covers unless instructed by Customer Tech Support. Service should only be done by an authorized service technician.
- To prevent electrical shock, never drop or insert any object into any opening.
- Do not operate where aerosol (spray) products are being used or when oxygen is being administered.
- This equipment should not be used by persons weighing more than the specified maximum weight capacity as listed in the equipment Owner's Manual. Failure to comply will void the warranty.
- Do not use this equipment in any location that is not temperature controlled, such as, but not limited to: garages, porches, pool rooms, bathrooms, car ports or outdoors. Failure to comply will void the warranty.
- Contact Customer Tech Support or an authorized dealer for examination, repair and/or service.
- Make sure handlebars are secure before each use.
- Never rotate the foot pedals by hand.
- Never dismount the equipment until the pedals come to a complete STOP.
- Care should be taken when mounting or dismounting the equipment. Before mounting or dismounting, move the foot pedal on the mounting or dismounting side to its lowest position.
- Keep the topside of the foot support clean and dry.
- When exercising, always maintain a comfortable pace. Do not sprint above 80 RPMs on this machine.

**NOTE:**

This equipment has been tested and found to comply with the limits for a Class B digital device, pursuant to part 15 of the FCC rules. These limits are designed to provide reasonable protection against harmful interference in a residential installation. This equipment generates, uses and can radiate radio frequency energy and, if not installed and used in accordance with the instructions, may cause harmful interference to radio communications. However, there is no guarantee that interference will not occur in a particular installation.

If this equipment does cause harmful interference to radio or television reception, which can be determined by turning the equipment off and on, the user is encouraged to try to correct the interference by one or more of the following measures:

- Reorient or relocate the receiving antenna of the other device, where possible.
- Increase the separation between this equipment and the receiver of the other device, where possible.
- Consult the dealer or manufacturer for help.

Any changes or modifications not expressly approved by the manufacturer may void the warranty for this equipment.

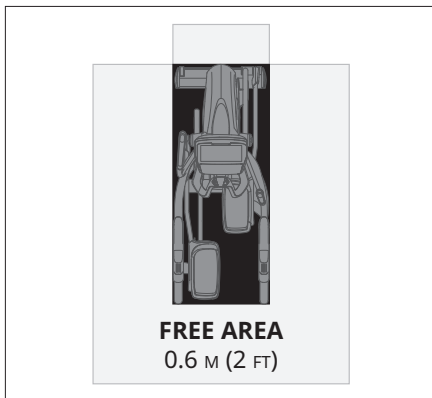
**FCC RF RADIATION EXPOSURE STATEMENT:**

This equipment complies with FCC RF radiation exposure limits set forth for an uncontrolled environment. This equipment should be installed and operated with a minimum distance of 20 centimeters (8 inches) between the radiator and your body.

# BASIC OPERATION



ENGLISH

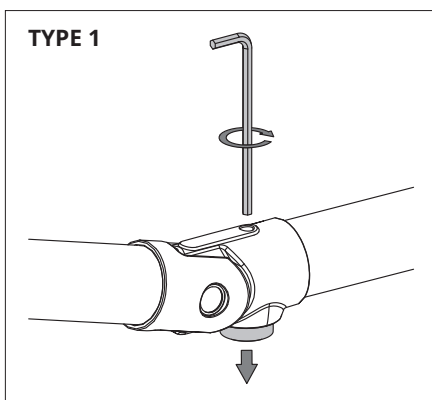
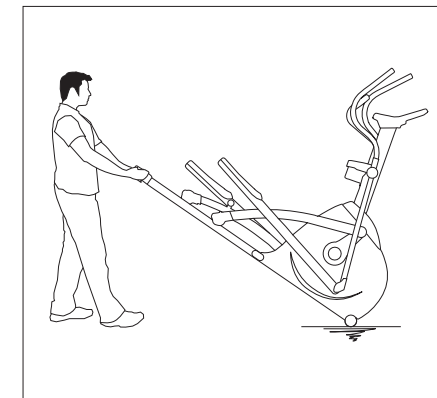


## LOCATION OF THE ELLIPTICAL

Place the elliptical on a level surface. There should be one foot of clearance in front of the elliptical for the power cord. For ease of access, there should be an accessible space preferentially on both sides and the rear of the elliptical that is at least 0.6 meters (24 inches). Do not place the elliptical in any area that will block any vent or air openings. The elliptical should not be located in a garage, covered patio, near water or outdoors.

## MOVING THE ELLIPTICAL

Your elliptical has a pair of transport wheels built into the front stabilizer tube. To move, first remove the power supply and firmly grasp the steel portion in the rear of the elliptical, carefully tilt and roll. Note: be sure to grab the steel bar and not the plastic cover.



## WARNING!

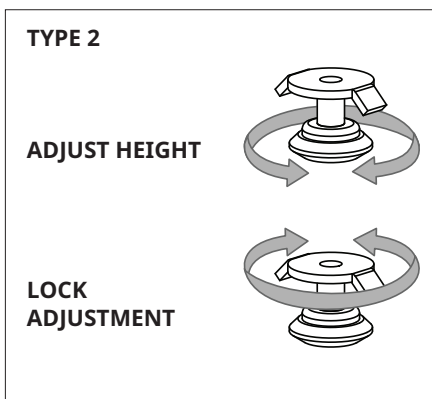
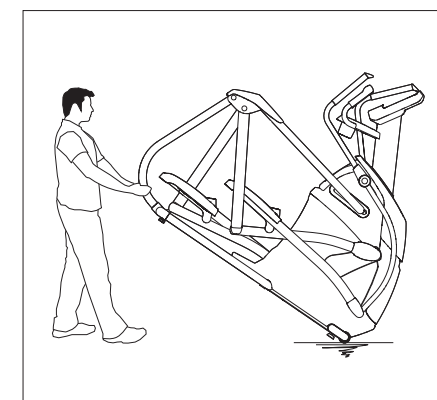
Our ellipticals are heavy, use care and additional help if necessary when moving. Failure to follow these instructions could result in injury.

## LEVELING THE ELLIPTICAL

Your elliptical should be level for optimum use. Once you have placed your elliptical where you intend to use it, raise or lower one or both of the adjustable levelers located on the bottom of the frame. A carpenter's level is recommended.

There are two types of levelers on our ellipticals:

**TYPE 1:** Raise or lower one or both of the adjustable levelers located on the bottom of the frame using a 6mm allen wrench through the access hole.



**TYPE 2:** Raise or lower one or both of the adjustable levelers located on the bottom of the frame by rotating the leveler. Once you have leveled your elliptical, lock the levelers in place by tightening the nuts against the frame.



## PROPER USAGE

This elliptical trainer uses a speed-independent braking system. The user is able to adjust the resistance of the braking system independently of the RPM of the crank axle.

The power (Watts) accuracy of this elliptical trainer is rated as Class A, which means the displayed power shown on the console is within +/- 10% of the actual mechanical power supplied to the crank. Testing was performed at speeds of 50, 60, and 70 RPM and at various resistance settings so that the input power ranged from 100 W - 400 W.

This equipment offers a variety of foot positions. Moving your foot forward toward the front of the foot pad increases your step height, which will create a feel similar to a step machine. Placing your foot toward the back of the foot pad decreases your step height and creates more of a gliding feel, similar to a smooth walk or run. Always make sure your entire foot is fully supported by the foot pad.

This equipment also allows you to pedal both forward and backwards to offer a variation to your workout and to focus on other major leg muscle groups such as your hamstrings and calves.

To determine proper workout position, stand on the pedal with your foot on the center of the pedal. Keep your knees slightly bent at all times. You should be able to pedal without locking your knees or shifting your weight from side to side.

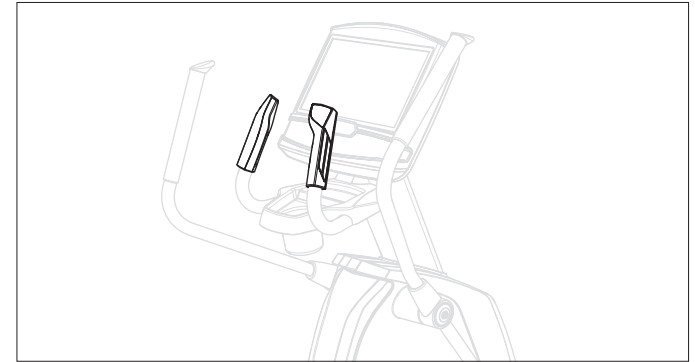
## MOUNTING AND DISMOUNTING THE ELLIPTICAL

1. Stand on the side of the elliptical next to the lowest foot pedal.
2. While holding both of the stationary handlebars, place your foot on the lowest foot pedal and pull yourself up onto the elliptical.
3. Wait until the elliptical finds its resting place and then place your other foot on the opposite pedal.
4. To dismount, wait until pedals come to a complete stop, remove foot from highest foot pedal, and step down onto the ground on the side of the elliptical next to the lowest foot pedal.

## POWER INCLINE OPERATION

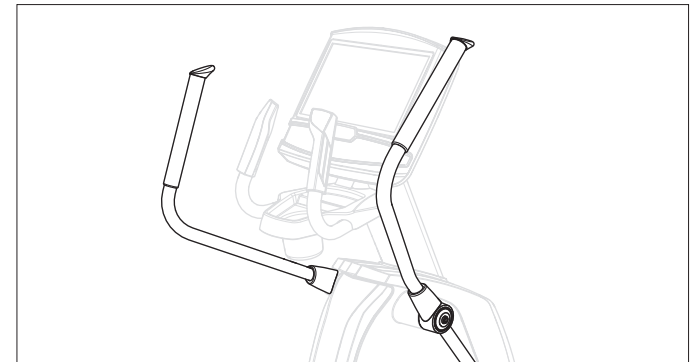
Some elliptical models offer powered incline to add variety to your workouts. The incline can be adjusted using the buttons on the console.

If the stop button is pressed to pause the program, the incline motor will remain at its current height. To return the incline to 0%, press START/GO and change the incline to 0% before dismounting. If the STOP button is held for 3 seconds to reset the console, the incline will also return to 0%.



### LOWER BODY WORKOUT

To exercise primarily the lower body: Hold onto the stationary handlebars while using your feet to push the foot pedals along their path.



### UPPER BODY WORKOUT

To exercise primarily the upper body: While standing on the foot pedals, push each of the movable handlebars using the muscles in your arms to move the foot pedals along their path.

### FULL BODY WORKOUT

To exercise the combined total body (both upper body and lower body): Use both arm and leg muscles to move the foot pedals along their path, or alternate between exercising your lower and upper body.

# TROUBLESHOOTING

## COMMON PRODUCT QUESTIONS

### ARE THE SOUNDS MY ELLIPTICAL MAKES NORMAL?

Our ellipticals are some of the quietest available because they use belt drives and friction free magnetic resistance. We use the highest grade bearings and belts to minimize noise. However, because the resistance system itself is so quiet, you will occasionally hear other slight mechanical noises. Unlike older, louder technologies, there are no fans, friction belts, or alternator noises to mask these sounds on our ellipticals. These mechanical noises, which may or may not be intermittent, are normal and are caused by the transfer of significant amounts of energy to a rapidly spinning flywheel. All bearings, belts and other rotating parts will generate some noise which will transmit through the casing and frame. It is also normal for these sounds to change slightly during a workout and over time because of thermal expansion of the parts.

### WHY IS THE ELLIPTICAL I HAD DELIVERED LOUDER THAN THE ONE AT THE STORE?

All fitness products seem quieter in a large store showroom because there is generally more background noise than in your home. Also, there will be less reverberation on a carpeted concrete floor than on a wood overlay floor. Sometimes a heavy rubber mat will help reduce reverberation through the floor. If a fitness product is placed close to a wall, there will be more reflected noise.

### HOW LONG WILL THE DRIVE BELT LAST?

The computer modeling we have done indicated virtually thousands of maintenance free hours. Belts are now commonly used in far more demanding applications such as motorcycle drives.

### CAN I MOVE THE TRAINER EASILY ONCE IT IS ASSEMBLED?

Your elliptical has a pair of transport wheels built into the front stabilizer tube. Please follow the MOVING THE ELLIPTICAL section to transport your elliptical. It is important that you place your elliptical in a comfortable and inviting room. Your elliptical is designed to use minimal floor space. Many people will place their ellipticals facing the TV or a picture window. If at all possible, avoid putting your elliptical in an unfinished basement. To make exercise a desirable daily activity for you, the elliptical should be in a comfortable setting.

### CAN I PEDAL BACKWARDS ON MY ELLIPTICAL?

Your elliptical allows you to pedal both forward and backwards to exercise and strengthen a wider range of muscles.

## BASIC TROUBLESHOOTING

**PROBLEM:** The console does not light up.

**SOLUTION:** Verify the following:

- The outlet the machine is plugged into is functional. Double check that the breaker has not tripped.
- The correct power cord is being used. Only use the power cord included. Test the voltage on the power cord to verify it provides the specified output voltage from the label.
- The power cord is not pinched or damaged and is properly plugged into the outlet AND the machine.
- The power switch is turned to the ON position (may not apply to all models).
- Turn off the machine and unplug power cord. Remove the console and check that all connections to the console are secure and not damaged or pinched. Unplug and reconnect the console cable.

**PROBLEM:** The console lights up but the Distance/Watts/RPMs do not count.

**SOLUTION:** Verify the following:

- Turn off machine and unplug power cord. Remove the console and check that all connections to the console are secure and not damaged or pinched. Unplug and reconnect the console cable.
- If doing the above does not fix the problem, the speed sensor and/or magnet may have become dislodged or damaged.

**PROBLEM:** The resistance levels seem to be incorrect, seeming too hard or too easy.

**SOLUTION:** Verify the following:

- The correct power cord is being used. Only use the power cord provided.
- Reset the console and allow the resistance to reset to the default position. Restart and retry the resistance levels.

**PROBLEM:** The roller wheels appear to be leaving particles on the guide rails.

**SOLUTION:** This is considered normal wear of the elliptical wheels. To remove, simply wipe off the roller wheels and guide rails with a damp cloth.

**PROBLEM:** The elliptical makes a squeaking or chirping noise.

**SOLUTION:** Verify the following:

- The elliptical is on a level surface.
- Loosen all bolts attached during the assembly process, grease the joints, grease the threads and re-tighten. If bolts become loose, apply blue thread-locker and re-tighten.
- Apply a lithium-based grease to the top surface of the guide rails.

### FOR ELLIPTICALS WITH SPEAKERS:

**PROBLEM:** When MP3 player is connected there is no sound coming from the speakers or the speakers sound fuzzy.

**SOLUTION:** Make sure audio cable is plugged in securely to both the console and MP3 Player jacks.





## TROUBLESHOOTING

### HEART RATE (GRIP-PULSE ONLY)

Check your exercise environment for sources of interference such as fluorescent lights, computers, underground fencing, home security systems or appliances containing large motors. These items may cause erratic heart rate readouts.

You may experience an erratic readout under the following conditions:

- Gripping the heart rate handlebars too tight. Try to maintain moderate pressure while holding onto the heart rate handlebars.
- Constant movement and vibration due to constantly holding the heart rate handlebars while exercising. If you are receiving erratic heart rate readouts, try to only hold the grips long enough to monitor your heart rate.
- When you are breathing heavily during a workout.
- When your hands are constricted by wearing a ring.
- When your hands are dry or cold. Try to moisten your palms by rubbing them together to warm.
- Anyone with heavy arrhythmia.
- Anyone with arteriosclerosis or peripheral circulation disorder.
- Anyone whose skin on the measuring palm is especially thick.

### NEED ASSISTANCE?

If this troubleshooting section does not remedy the problem, discontinue use and turn the power off.



**Please reference contact information from local service or on the INFORMATION CARD if available for assistance.**

The following information may be asked of you when you call. Please have these items readily available:

- Model Name
- Serial Number
- Proof of Purchase (receipt or credit card statement)

Some common troubleshooting questions that may be asked are:

- How long has this problem been occurring?
- Does this problem occur with every use? With every user?
- If you are hearing a noise, does it come from the front or the back? What kind of noise is it (thumping, grinding, squeaking, chirping etc.)?
- Has the machine been maintained per the MAINTENANCE schedule?

Answering these and other questions will give the technicians the ability to send proper replacement parts and the service necessary to get you and your elliptical running again!

You may find more troubleshooting suggestions on the customer support section of our website.



## MAINTENANCE

### WHAT KIND OF ROUTINE MAINTENANCE IS REQUIRED?

Minimal maintenance and cleaning is required. Adhering to this schedule will extend the life of your machine.

### HOW DO I CLEAN MY ELLIPTICAL?

Clean with soap and water cleaners only. Never use solvents on plastic parts. Cleanliness of your elliptical and its operating environment will keep maintenance problems and service calls to a minimum. For this reason, it is recommended that the following preventive maintenance schedule be followed.

### WARNING

To remove power from the elliptical, the power cord must be disconnected from the wall outlet.

## MAINTENANCE SCHEDULE

ACTION	FREQUENCY
<p>Clean the elliptical:</p> <ul style="list-style-type: none"><li>• Turn off the elliptical by unplugging the power cord from the wall outlet.</li><li>• Wipe down the elliptical with a damp cloth. Never use solvents, as they can cause damage to the elliptical.</li><li>• Inspect the power cord. If the power cord is damaged, reference contact information on the back cover of the INFORMATION CARD for a replacement.</li><li>• Make sure the power cord is not underneath the elliptical or in any other area where it can become pinched or cut during storage or use.</li></ul>	DAILY
<p>Clean underneath the elliptical:</p> <ul style="list-style-type: none"><li>• Turn off the elliptical.</li><li>• Move the elliptical to a remote location.</li><li>• Wipe or vacuum any dust particles or other objects that may have accumulated underneath the elliptical.</li><li>• Return the elliptical to its previous position.</li></ul>	WEEKLY
<ul style="list-style-type: none"><li>• Inspect and tighten all assembly bolts and pedals on the machine.</li><li>• Clean any debris off of the pedal arm wheels and guide rails.</li></ul>	MONTHLY





## CONSERVEZ CES INSTRUCTIONS

Lisez le GUIDE DU PROPRIÉTAIRE avant utilisation. Lors de l'utilisation d'un produit électrique, des précautions de base doivent toujours être respectées, notamment les suivantes : Lisez toutes les instructions avant d'utiliser cet équipement. Il incombe au propriétaire de s'assurer que tous les utilisateurs de cet équipement sont correctement informés de tous les avertissements et de toutes les précautions. Si vous avez des questions après avoir lu ce guide, contactez le support technique.

Il est essentiel que cet équipement ne soit utilisé qu'à l'intérieur, dans une pièce climatisée. Si votre équipement a été exposé à des températures plus froides ou à des climats très humides, il est fortement recommandé de réchauffer cet équipement jusqu'à la température ambiante avant utilisation.

Cet équipement est destiné à un usage domestique uniquement. N'utilisez pas cet équipement dans un environnement commercial, locatif, scolaire ou institutionnel. En cas de non respect de ces instructions, la garantie sera annulée.

## AVERTISSEMENT

### POUR RÉDUIRE LE RISQUE DE BRÛLURE, D'INCENDIE, DE CHOC ÉLECTRIQUE OU DE BLESSURE :

- Utilisez cet équipement uniquement pour l'usage prévu, tel que décrit dans ce guide et dans le manuel du propriétaire.
- Les enfants de moins de 14 ans ne doivent à aucun moment utiliser l'équipement.
- À aucun moment, les animaux de compagnie et les enfants de moins de 14 ans ne doivent s'approcher de cet équipement à moins de 3 mètres.
- Cet équipement n'est pas destiné à être utilisé par des personnes ayant des capacités physiques, sensorielles ou mentales réduites, ou un manque d'expérience et de connaissances, à moins d'être supervisées ou avoir été formées à l'utilisation de l'équipement par une personne responsable de leur sécurité.
- Portez toujours des chaussures de sport lorsque vous utilisez cet équipement. N'utilisez JAMAIS l'équipement d'exercice pieds nus.
- Ne portez pas de vêtements susceptibles de se coincer dans des pièces mobiles de cet équipement.
- Les systèmes de surveillance de la fréquence cardiaque peuvent être inexacts. S'exercer de manière excessive peut entraîner des blessures graves ou la mort.
- Si vous ressentez une douleur quelconque, notamment des douleurs à la poitrine, des nausées, des étourdissements ou un essoufflement, arrêtez immédiatement de faire l'exercice et consultez votre médecin avant de continuer.
- Ne sautez pas sur l'équipement.
- À aucun moment, plus d'une personne ne doit se trouver sur l'équipement.
- Installez et faites fonctionner l'équipement sur une surface plane et solide.
- N'utilisez jamais l'équipement s'il ne fonctionne pas correctement ou s'il a été endommagé.
- Utilisez les barres de maintien pour garder l'équilibre lors de la montée et de la descente, et pour une stabilité supplémentaire pendant l'exercice.
- Pour éviter toute blessure, n'exposez aucune partie du corps (par exemple les doigts, mains, bras ou pieds) au mécanisme d'entraînement ou à d'autres pièces de l'équipement potentiellement mobiles.
- Connectez ce produit d'exercice uniquement à une prise correctement mise à la terre.
- Cet équipement ne doit jamais être laissé sans surveillance lorsqu'il est branché. En cas de non-utilisation, et avant de procéder à la maintenance, au nettoyage ou au déplacement de l'équipement, coupez l'alimentation et débranchez la prise.
- N'utilisez pas de matériel endommagé ou présentant des pièces usées ou cassées. Utilisez uniquement des pièces de rechange fournies par le support technique client ou un revendeur agréé.
- N'utilisez jamais cet équipement s'il est tombé, s'il est endommagé ou s'il ne fonctionne pas correctement, si son cordon ou sa fiche est endommagé, s'il est situé dans un environnement humide ou mouillé ou s'il a été immergé dans l'eau.
- Tenez le cordon d'alimentation à l'écart des surfaces chauffées. Ne tirez pas sur ce cordon d'alimentation et n'appliquez pas de charges mécaniques sur ce cordon.
- Ne retirez pas les caches de protection, sauf sur demande de l'assistance technique client. L'entretien ne doit être effectué que par un technicien de service autorisé.
- Pour éviter les chocs électriques, ne laissez jamais tomber ou n'insérez aucun objet dans une ouverture.
- Ne l'utilisez pas lorsque des aérosols (sprays) sont utilisés ou lorsque de l'oxygène est administré.
- Cet équipement ne doit pas être utilisé par des personnes pesant plus que la capacité de poids maximum spécifiée dans le manuel du propriétaire de l'équipement. En cas de non respect de ces instructions, la garantie sera annulée.
- N'utilisez pas cet équipement dans un endroit où la température n'est pas contrôlée, comme les garages, les vérandas, les salles de billard, les salles de bain, les abris de voiture ou à l'extérieur. En cas de non respect de ces instructions, la garantie sera annulée.
- Contactez le support technique client ou un revendeur agréé pour examen, réparation et/ou entretien.
- Assurez-vous que le guidon est bien fixé avant chaque utilisation.
- Ne faites jamais tourner les pédales à la main.
- Ne démontez jamais l'équipement tant que les pédales ne sont pas complètement ARRÊTÉES.
- Des précautions doivent être prises en montant sur l'équipement ou en descendant. Avant de monter ou de descendre, placez la pédale du côté montée ou descente dans sa position la plus basse.
- Gardez le dessus du support de pied propre et sec.
- Lors de l'exécution de tout exercice, maintenez toujours un rythme confortable. Ne sprintez pas à plus de 80 rotations par minute sur cette machine.

**REMARQUE :**

Cet équipement a été testé et déclaré conforme aux limites applicables aux appareils numériques de classe B, conformément à la partie 15 des règles de la FCC. Ces limites sont conçues pour fournir une protection raisonnable contre les interférences nuisibles dans une installation résidentielle. Cet équipement génère, utilise et peut émettre une énergie de fréquence radio et, s'il n'est pas installé et utilisé conformément aux instructions, peut provoquer des interférences nuisibles aux communications radio. Cependant, rien ne garantit que des interférences ne se produiront pas dans une installation spécifique.

Si cet équipement cause des interférences nuisibles à la réception radio ou télévision, ce qui peut être déterminé en éteignant puis en rallumant l'équipement, l'utilisateur est invité à essayer de corriger l'interférence par une ou plusieurs des mesures suivantes :

- Réorientez ou déplacez l'antenne de réception de l'autre appareil, si possible.
- Augmentez la distance entre cet équipement et le récepteur de l'autre appareil, si possible.
- Consultez le revendeur ou le fabricant pour obtenir de l'aide.

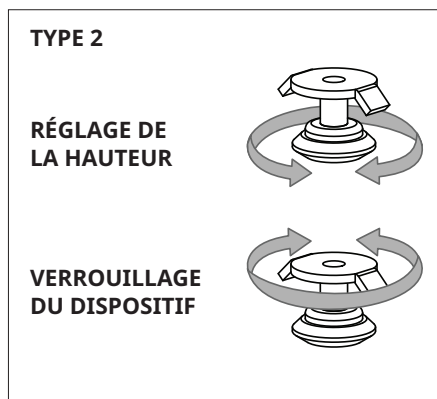
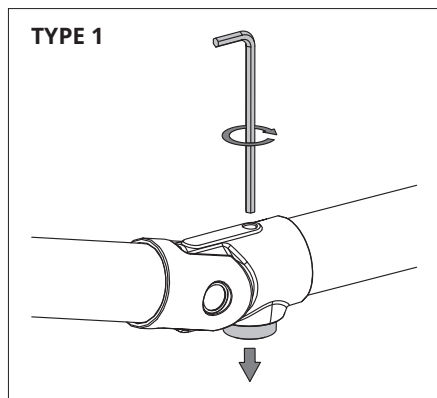
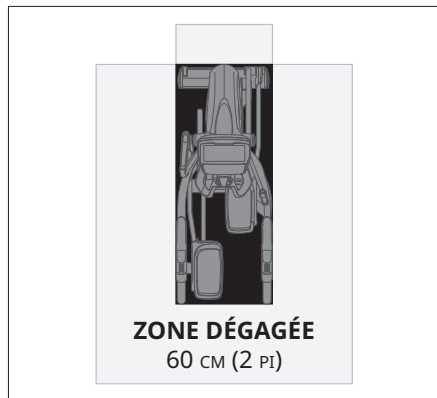
Tout changement ou modification non expressément approuvé par le fabricant peut annuler la garantie de cet équipement.

**DÉCLARATION D'EXPOSITION AUX RADIATIONS RF DE LA FCC :**

Cet équipement est conforme aux limites d'exposition aux rayonnements RF établies par la FCC pour un environnement non contrôlé. Cet équipement doit être installé et utilisé avec une distance minimale de 20 centimètres (8 pouces) entre le radiateur et votre corps.



## FONCTIONNEMENT DE BASE



### EMPLACEMENT DE VOTRE VÉLO ELLIPTIQUE

Installez votre vélo elliptique sur une surface plane. Prévoyez un dégagement de 30 cm devant le vélo elliptique pour le câble d'alimentation. Afin de faciliter l'accès à l'appareil, un espace libre de 60 cm de large doit être prévu de préférence des deux côtés et à l'arrière du vélo elliptique. Ne placez pas le vélo elliptique de façon à bloquer la circulation d'air ou les grilles d'aération. Le vélo elliptique ne doit pas être placé dans un garage, une véranda, près d'une source d'eau ni à l'extérieur.

### DÉPLACEMENT DU VÉLO ELLIPTIQUE

Votre vélo elliptique est équipé d'une paire de roulettes de transport intégrées dans la barre stabilisatrice avant. Pour le déplacer, débranchez tout d'abord le câble d'alimentation électrique, saisissez fermement la partie en acier à l'arrière du vélo elliptique, inclinez-le doucement et faites-le rouler. Remarque : veillez à bien saisir la barre en acier et non le carter plastique.

### AVERTISSEMENT !

Les vélos elliptiques sont très lourds, soyez prudent et appelez quelqu'un pour vous aider à transporter votre appareil si nécessaire. Le non-respect de ces instructions peut provoquer des blessures.

### MISE DE NIVEAU DU VÉLO ELLIPTIQUE

Pour une utilisation optimale, votre vélo elliptique doit être mis de niveau. Lorsque le vélo elliptique est installé à l'emplacement souhaité, remontez ou descendez l'un des pieds réglables, ou les deux, qui sont situés au bas du châssis. L'utilisation d'un niveau à bulle est recommandée.

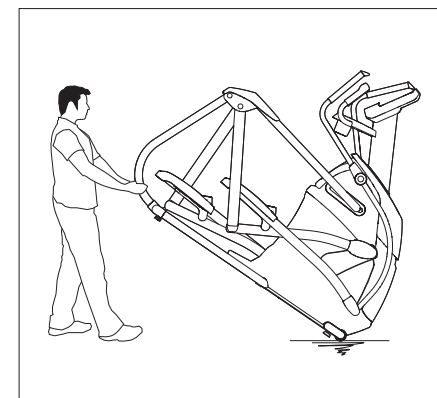
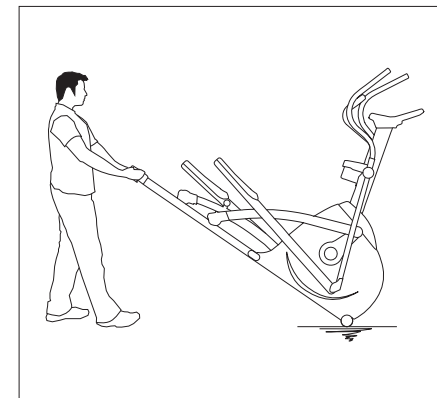
Les vélos elliptiques sont équipés de deux types de pieds réglables :

**TYPE 1** : remontez ou descendez le ou les pieds réglables situés au bas du châssis du vélo elliptique en insérant une clé Allen de 6 mm dans l'orifice d'accès.

**TYPE 2** : remontez ou descendez le ou les pieds réglables situés au bas du châssis du vélo elliptique en les faisant tourner. Une fois votre vélo elliptique de niveau, verrouillez la position des pieds réglables en serrant les écrous contre le châssis.

### ALIMENTATION

Votre vélo elliptique fonctionne avec une alimentation électrique. Le câble d'alimentation doit être branché au connecteur d'alimentation situé à l'avant de l'appareil, près de la barre stabilisatrice. Certains tapis de course sont équipés d'un interrupteur marche/arrêt situé près du connecteur d'alimentation. Assurez-vous que celui-ci est en position « Marche ». Débranchez le câble lorsque l'appareil n'est pas utilisé. **REMARQUE** : certains vélos elliptiques sont équipés d'un interrupteur marche/arrêt situé derrière la console.



### AVERTISSEMENT !

N'utilisez jamais l'appareil si le câble d'alimentation ou la prise est endommagé(e), s'il ne fonctionne pas correctement, s'il a été endommagé ou s'il a été immergé. En cas de besoin, les coordonnées de l'assistance technique se trouvent au dos de la CARTE D'INFORMATION.

## RÈGLES D'UTILISATION

Ce vélo elliptique utilise un système de freinage indépendant de la vitesse. L'utilisateur peut régler la résistance du système de freinage indépendamment de la vitesse (TR/MIN) de l'axe du pédalier.

La précision de la puissance (en watts) du vélo elliptique est classée en catégorie A, ce qui signifie que la puissance affichée sur la console équivaut à +/- 10 % de la puissance mécanique réelle appliquée au pédalier. Les tests ont été effectués à différentes vitesses (50, 60 et 70 TR/MIN) et avec différents réglages de la résistance afin que la puissance d'entrée soit comprise entre 100 et 400 W.

Cet appareil permet de placer ses pieds à différentes positions. Si vous placez votre pied vers l'avant de la pédale, la hauteur d'élévation du pied augmente, ce qui provoque une sensation similaire à celle d'un stepper. Si vous placez votre pied vers l'arrière de la pédale, la hauteur d'élévation du pied diminue et crée plus une sensation de glissement similaire à celle de la marche ou de la course à pieds. Veillez à bien placer la totalité de votre pied sur la pédale.

Cet appareil vous permet également de pédaler à la fois en avant et en arrière afin que vous puissiez varier vos exercices et vous concentrer sur d'autres muscles majeurs du groupe musculaire des jambes, tels que vos ischio-jambiers et vos mollets.

Afin de déterminer la position d'entraînement adéquate, tenez-vous debout sur les pédales et placez vos pieds au centre des pédales. Gardez les genoux légèrement fléchis en permanence. Vous devriez pouvoir pédaler sans bloquer les genoux ni balancer votre poids d'un côté et de l'autre.

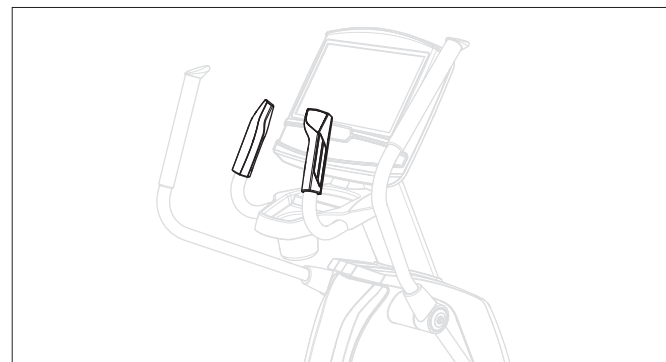
## MONTER ET DESCENDRE DU VÉLO ELLIPTIQUE

1. Tenez-vous sur le côté du vélo elliptique à côté de la pédale la plus basse.
2. En tenant les deux poignées fixes, placez votre pied sur la pédale la plus basse et hissez-vous sur le vélo elliptique.
3. Attendez que le vélo elliptique redevienne immobile puis placez votre second pied sur la pédale opposée.
4. Pour descendre, attendez que les pédales redeviennent complètement immobiles, retirez votre pied de la pédale la plus haute et descendez du vélo elliptique du côté où la pédale est la plus basse.

## INCLINAISON MOTORISÉE

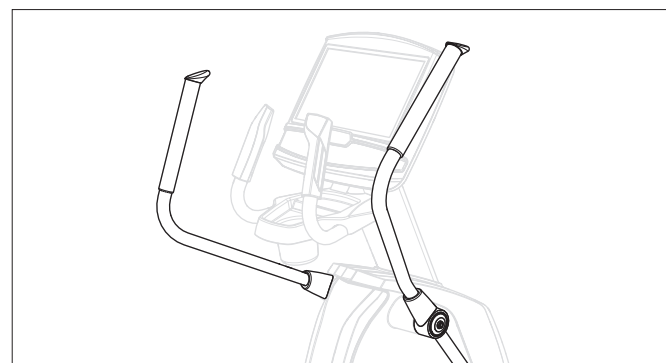
Certains modèles de vélos elliptiques permettent une inclinaison motorisée pour diversifier les exercices. L'inclinaison peut être réglée à l'aide des boutons sur la console.

Si vous appuyez sur le bouton stop pour mettre le programme sur pause, le moteur d'inclinaison conservera la hauteur en cours. Pour retrouver une inclinaison de 0 %, appuyez sur DÉMARRER et réglez l'inclinaison à 0 % avant de descendre. Si le bouton STOP est maintenu pendant 3 secondes pour réinitialiser la console, l'inclinaison repassera également à 0 %.



### ENTRAÎNEMENT DU BAS DU CORPS

Pour travailler essentiellement le bas du corps : saisissez les poignées fixes et utilisez vos pieds pour pousser les pédales le long de leur trajectoire.



### ENTRAÎNEMENT DU HAUT DU CORPS

Pour travailler essentiellement le haut du corps : debout sur les pédales, poussez chacune des poignées mobiles en utilisant les muscles de vos bras pour déplacer les pédales le long de leur trajectoire.

### ENTRAÎNEMENT INTÉGRAL

Pour travailler l'intégralité du corps (combinaison de l'entraînement du haut et du bas du corps) : utilisez les muscles de vos bras et de vos jambes pour déplacer les pédales le long de leur trajectoire, ou alternez l'entraînement du haut du corps avec l'entraînement du bas du corps.





# DÉPANNAGE

## QUESTIONS FRÉQUENTES RELATIVES AU PRODUIT

### LES SONS QUE FAIT MON VÉLO ELLIPTIQUE SONT-ILS NORMAUX ?

Nos vélos elliptiques figurent parmi les plus silencieux du marché car ils fonctionnent avec un entraînement par courroie et une résistance magnétique sans frottement. Nous utilisons des roulements et des courroies de la plus haute qualité pour limiter le bruit. Cependant, puisque le système de résistance est si silencieux, vous pourrez entendre d'autres petits bruits mécaniques de temps en temps. Contrairement aux technologies plus anciennes et plus bruyantes, aucun bruit de ventilateurs, de frottement de courroies ou d'alternateurs ne vient masquer ces sons sur nos vélos elliptiques. Ces bruits mécaniques, qui peuvent être intermittents ou non, sont normaux et sont provoqués par le transfert de grandes quantités d'énergie vers une roue d'inertie qui tourne rapidement. Tous les roulements, courroies et autres pièces en mouvement émettent des bruits qui seront retransmis via le boîtier et le châssis. Il est également normal que ces sons changent légèrement au cours d'un entraînement et au fil du temps en raison de la dilatation thermique des pièces.

### POURQUOI LE VÉLO ELLIPTIQUE QUE J'AI ACHETÉ EST-IL PLUS BRUYANT QUE CELUI PRÉSENTÉ EN MAGASIN ?

Tous les produits de remise en forme exposés dans un grand magasin semblent toujours être plus silencieux car le bruit de fond y est plus élevé que chez vous. La réverbération acoustique est également moindre sur un sol en béton recouvert de moquette que sur un parquet. L'installation d'un tapis épais en caoutchouc sous l'appareil peut aider à réduire la réverbération sur le sol. Si un appareil de remise en forme est placé près d'un mur, cela risque d'amplifier les bruits par un effet tambour.

### QUELLE EST LA DURÉE DE VIE DE LA COURROIE D'ENTRAÎNEMENT ?

La modélisation informatique que nous avons réalisée a indiqué des milliers d'heures d'utilisation virtuelle sans maintenance. Aujourd'hui, les courroies sont couramment utilisées dans des applications bien plus exigeantes, telles que les systèmes de transmission des motos.

### EST-IL POSSIBLE DE DÉPLACER FACILEMENT L'APPAREIL UNE FOIS QU'IL EST MONTÉ ?

Votre vélo elliptique est équipé d'une paire de roulettes de transport intégrées dans la barre stabilisatrice avant. Veuillez consulter la section DÉPLACEMENT DU VÉLO ELLIPTIQUE avant de déplacer votre appareil. Il est important de placer votre vélo elliptique dans une salle confortable et accueillante. Votre vélo elliptique est conçu pour prendre le moins de place possible au sol. Beaucoup de gens positionnent leur vélo elliptique devant la télévision ou face à une baie vitrée. Dans la mesure du possible, évitez de placer votre vélo elliptique dans un sous-sol non aménagé. Pour que l'entraînement devienne une activité quotidienne agréable, votre vélo elliptique doit être placé dans un environnement confortable.

### PEUT-ON RÉTROPÉDALER SUR UN VÉLO ELLIPTIQUE ?

Votre vélo elliptique vous permet de pédaler à la fois en avant et en arrière pour travailler et renforcer un plus grand nombre de muscles.

## PROCÉDURES DE DÉPANNAGE DE BASE

**PROBLÈME :** la console ne s'allume pas.

**SOLUTION :** effectuez les vérifications suivantes :

- Vérifiez que la prise de courant sur laquelle est branché l'appareil fonctionne correctement. Vérifiez que le disjoncteur ne s'est pas déclenché.
- Vérifiez que le câble d'alimentation adéquat est utilisé. N'utilisez que le câble d'alimentation fourni. Testez la tension du câble d'alimentation pour vérifier qu'il fournit la tension de sortie indiquée sur l'étiquette.
- Vérifiez que le câble d'alimentation n'est pas pincé ou endommagé et qu'il est branché correctement à la prise de courant ET à l'appareil.
- L'interrupteur marche/arrêt est en position MARCHE (ne s'applique pas à tous les modèles).
- Éteignez l'appareil et débranchez le câble d'alimentation. Retirez la console et vérifiez que toutes les connexions vers la console sont correctes et qu'aucun fil n'est pincé ou endommagé. Débranchez et rebranchez le câble de la console.

**PROBLÈME :** la console s'allume mais les dispositifs de mesure de la distance, de la puissance (watts) et de la vitesse (TR/MIN) ne fonctionnent pas.

**SOLUTION :** effectuez les vérifications suivantes :

- Éteignez l'appareil et débranchez le câble d'alimentation. Retirez la console et vérifiez que toutes les connexions vers la console sont correctes et qu'aucun fil n'est pincé ou endommagé. Débranchez et rebranchez le câble de la console.
- Si le problème persiste, il est possible que le capteur de vitesse et/ou l'aimant soient sortis de leurs logements ou soient endommagés.

**PROBLÈME :** les niveaux de résistance semblent incorrects (trop faciles ou trop difficiles).

**SOLUTION :** effectuez les vérifications suivantes :

- Vérifiez que le câble d'alimentation adéquat est utilisé. N'utilisez que le câble d'alimentation fourni.
- Réinitialisez la console pour restaurer les paramètres de résistance par défaut. Redémarrez et testez à nouveau les niveaux de résistance.

**PROBLÈME :** les galets de roulement semblent laisser des particules sur les rails de guidage.

**SOLUTION :** cela est considéré comme l'usure normale des galets de roulement de vélos elliptiques. Pour retirer ces particules, essuyez simplement les galets de roulement et les rails de guidage avec un chiffon humide.

**PROBLÈME :** le vélo elliptique émet des grincements ou des grésillements.

**SOLUTION :** effectuez les vérifications suivantes :

- Assurez-vous que votre vélo elliptique est installé sur une surface plane.
- Desserrez tous les boulons fixés au cours du montage, graissez les articulations, graissez les filetages et serrez à nouveau les boulons. Si les boulons se desserrent, appliquez un adhésif frein-filet bleu et serrez à nouveau.
- Appliquez une couche de graisse au lithium sur la surface supérieure des rails de guidage.

### POUR LES VÉLOS ELLIPTIQUES ÉQUIPÉS DE HAUT-PARLEURS :

**PROBLÈME :** lorsque le lecteur MP3 est connecté, aucun son ne sort des haut-parleurs ou le son est très mauvais.

**SOLUTION :** assurez-vous que le câble audio est branché correctement à la fois sur le connecteur de la console et sur le connecteur du lecteur MP3.

## DÉPANNAGE

### DU MONITEUR DE FRÉQUENCE CARDIAQUE (POIGNÉES À CAPTEURS TACTILES CARDIAQUES UNIQUEMENT)

Contrôlez l'endroit où vous vous entraînez et recherchez des sources possibles d'interférence, telles que des lumières fluorescentes, des ordinateurs, des clôtures électriques, des systèmes d'alarme ou des installations équipées de gros moteurs. Ces appareils peuvent causer des lectures erronées de la fréquence cardiaque.

Des mesures incohérentes de la fréquence cardiaque peuvent également se produire dans les cas suivants :

- Une pression excessive sur les poignées équipées de capteurs tactiles. Essayez d'exercer une pression modérée sur ces poignées.
- Des vibrations et un mouvement constants lorsque vous tenez les poignées pendant les exercices. Si l'écran affiche des mesures incohérentes, saisissez les poignées le temps nécessaire afin que votre rythme cardiaque soit enregistré.
- Lorsque vous êtes essoufflé durant un entraînement.
- Lorsque vos doigts sont comprimés par des bagues.
- Lorsque vos mains sont sèches ou froides. Frottez-vous les mains afin de les hydrater et de les réchauffer.
- Lorsque vous souffrez d'arythmie grave.
- Lorsque vous êtes atteint d'artériosclérose ou de troubles de la circulation périphérique.
- Lorsque la peau des paumes de vos mains est particulièrement épaisse.

## BESOIN D'UNE ASSISTANCE TECHNIQUE ?

Si le problème subsiste, arrêtez d'utiliser le tapis et mettez-le hors tension.



**En cas de besoin, les coordonnées de l'assistance technique se trouvent sur la CARTE D'INFORMATION.**

Lors de votre appel, vous devrez probablement fournir les renseignements ci-après. Veuillez préparer les informations suivantes :

- Nom du modèle
- Numéro de série
- Preuve d'achat (facture ou relevé de carte bancaire)

Les questions fréquemment posées sont les suivantes :

- Depuis combien de temps rencontrez-vous ce problème ?
- Le problème se répète-t-il à chaque utilisation ? Avec tous les utilisateurs ?
- Si vous entendez un bruit gênant, provient-il de l'avant ou de l'arrière de l'appareil ? De quel type de bruit s'agit-il (bruit sourd, grincement, son aigu, sifflement, etc.) ?
- L'appareil a-t-il été entretenu conformément au programme D'ENTRETIEN ?

Les réponses à ces questions et à d'autres questions permettront aux techniciens d'envoyer les pièces de rechange adéquates et d'effectuer la révision nécessaire au bon fonctionnement de votre tapis de course et vous faire reprendre votre entraînement !

Pour davantage de conseils sur le dépannage, consultez la rubrique Assistance client de notre site Internet.





## ENTRETIEN

### QUEL TYPE D'ENTRETIEN DE ROUTINE DOIT ÊTRE EFFECTUÉ ?

L'entretien et le nettoyage requis sont minimales. Le fait de respecter ce programme d'entretien vous permettra de prolonger la durée de vie de votre appareil.

### COMMENT NETTOYER UN VÉLO ELLIPTIQUE ?

Nettoyez l'appareil avec du savon et de l'eau uniquement. N'utilisez jamais de solvants sur les parties en plastique. La propreté de votre vélo elliptique et de l'environnement dans lequel il est utilisé permettra de limiter au maximum les problèmes et les interventions de maintenance. Pour cette raison, il est recommandé de respecter le programme d'entretien préventif suivant :

### AVERTISSEMENT

Pour que le vélo elliptique ne soit plus alimenté en électricité, le câble d'alimentation doit être débranché de la prise murale.

## PROGRAMME D'ENTRETIEN

ACTION	FRÉQUENCE
<p>Nettoyage du vélo elliptique :</p> <ul style="list-style-type: none"> <li>• Mettez le vélo elliptique hors tension en débranchant le câble d'alimentation de la prise murale.</li> <li>• Nettoyez le vélo elliptique avec un chiffon humide. N'utilisez jamais de solvants car ceux-ci pourraient détériorer le vélo elliptique.</li> <li>• Contrôlez le câble d'alimentation. Si le câble d'alimentation est endommagé, contactez l'assistance technique pour le remplacer, en vous référant aux coordonnées présentes au dos de la CARTE D'INFORMATION.</li> <li>• Assurez-vous que le câble d'alimentation ne se trouve pas sous le vélo elliptique ou à un endroit où il risquerait d'être pincé ou coupé au cours du stockage ou de l'utilisation.</li> </ul>	QUOTIDIEN
<p>Nettoyez le dessous du vélo elliptique :</p> <ul style="list-style-type: none"> <li>• Mettez le vélo elliptique hors tension.</li> <li>• Déplacez le vélo elliptique vers un autre endroit.</li> <li>• Essuyez ou aspirez les particules de poussière et autres corps étrangers qui ont pu s'accumuler sous le vélo elliptique.</li> <li>• Remplacez le vélo elliptique à son emplacement initial.</li> </ul>	HEBDOMADAIRE
<ul style="list-style-type: none"> <li>• Vérifiez et resserrez tous les boulons d'assemblage et les pédales de l'appareil.</li> <li>• Nettoyez soigneusement les roulements des bras de pédales et les rails de guidage.</li> </ul>	MENSUEL





## GUARDE ESTAS INSTRUCCIONES

Lea el MANUAL DE INSTRUCCIONES antes de utilizar la unidad. A la hora de utilizar un producto eléctrico, siempre se deben adoptar precauciones básicas, entre ellas las siguientes: Lea todas las instrucciones antes de utilizar este equipo. El propietario es responsable de garantizar que todos los usuarios de este equipo estén informados de manera adecuada sobre todas las advertencias y precauciones. Si tiene alguna pregunta después de leer este manual, póngase en contacto con el servicio de asistencia técnica.

Es fundamental que este equipo solo se utilice en espacios interiores, en salas con control de la temperatura. Si el equipo de entrenamiento se ha visto expuesto a temperaturas más bajas o climas muy húmedos, se recomienda encarecidamente que se ajuste el equipo a la temperatura de la habitación antes de utilizarlo.

Este equipo ha sido concebido para un uso exclusivamente doméstico. No utilice este equipo en ningún establecimiento comercial, escolar, institucional ni de alquiler. El incumplimiento de estas indicaciones dará lugar a la anulación de la garantía.

## ADVERTENCIA

### PARA REDUCIR EL RIESGO DE QUEMADURAS, INCENDIOS, DESCARGAS ELÉCTRICAS O LESIONES PERSONALES :

- Use el equipo únicamente para su uso previsto de acuerdo con lo que se describe en este manual y en el manual de usuario.
- Los niños menores de 14 años no deben utilizar el equipo BAJO NINGUNA CIRCUNSTANCIA.
- Las mascotas y los niños menores de 14 años no deben estar BAJO NINGUNA CIRCUNSTANCIA a menos de 10 ft/3 m del equipo.
- Este equipo no está diseñado para que lo utilicen personas con capacidades físicas, sensoriales o mentales reducidas, ni personas con falta de experiencia y conocimientos, a menos que reciban vigilancia o instrucciones relativas al uso del equipo por parte de una persona responsable de su seguridad.
- Póngase siempre zapatillas de deporte para utilizar el equipo. NUNCA utilice el equipo de entrenamiento descalzo.
- No lleve ninguna prenda de ropa que pueda engancharse en los elementos móviles del equipo.
- Los sistemas de control de la frecuencia cardíaca pueden ser imprecisos. El ejercicio excesivo puede producir lesiones graves o la muerte.
- Si nota algún tipo de dolor, como, por ejemplo, dolores en el pecho, náuseas, mareos o dificultades para respirar, pare de hacer ejercicio de inmediato y consulte a su médico antes de continuar.
- No salte sobre el equipo.
- En ningún momento debe haber más de una persona en el equipo.
- Instale y utilice el equipo en una superficie nivelada sólida.
- No utilice nunca el equipo si este no funciona correctamente o si ha sufrido algún daño.
- Utilice las agarraderas para mantener el equilibrio al subirse al equipo o bajarse de él y también para obtener una mayor estabilidad durante el entrenamiento.
- Para evitar lesiones, no acerque ninguna parte del cuerpo (como por ejemplo, dedos, manos, brazos o pies) al mecanismo de accionamiento del equipo o a cualquier otro elemento móvil.
- Conecte la máquina únicamente a una toma de corriente con conexión a tierra.
- Nunca deje el equipo sin vigilancia mientras está enchufado. Siempre que no esté en funcionamiento y antes de realizar las tareas de mantenimiento, limpieza o traslado, apague el equipo y desenchúfelo.
- No utilice un equipo que esté dañado o tenga piezas desgastadas o rotas. Utilice solo piezas de repuesto suministradas por el servicio de asistencia técnica o un distribuidor autorizado.
- No utilice nunca el equipo si este se ha caído, ha sufrido algún daño, no funciona correctamente o si algún cable o enchufe están dañados. De igual forma, no lo utilice en lugares húmedos o mojados ni si se ha sumergido en agua.
- Mantenga el cable de alimentación alejado de las superficies calientes. No tire del cable de alimentación ni aplique cargas mecánicas sobre él.
- No retire las cubiertas protectoras a menos que se lo indique el servicio de asistencia técnica. El mantenimiento deberá llevarlo a cabo únicamente un técnico de mantenimiento autorizado.
- Para evitar las descargas eléctricas, no introduzca ni deje caer ningún objeto en las aberturas.
- No utilice el equipo en lugares en los que se emplean aerosoles (pulverizadores) o si se está administrando oxígeno.
- Las personas con un peso superior a la capacidad de carga especificada en el manual de usuario no deben usar el equipo. El incumplimiento de estas indicaciones dará lugar a la anulación de la garantía.
- No utilice el equipo en estancias sin control de la temperatura, como, por ejemplo, garajes, porches, salas de billar, cuartos de baño, aparcamientos cubiertos o espacios exteriores. El incumplimiento de estas indicaciones dará lugar a la anulación de la garantía.
- Póngase en contacto con el servicio de asistencia técnica o con un distribuidor autorizado para que examinen o reparen el equipo, así como para realizar las tareas de mantenimiento.
- Compruebe que las agarraderas estén bien aseguradas antes de cada uso.
- No gire nunca los pedales con las manos.
- No baje nunca del equipo hasta que los pedales estén completamente PARADOS.
- Debe tener precaución a la hora de subirse al equipo o bajarse de él. Antes de subir o bajar, ponga el pedal del lado por donde va a subir o bajar en su posición más baja.
- Mantenga limpia y seca la parte superior de los soportes para los pies.
- A la hora de hacer ejercicio, mantenga en todo momento un ritmo que le resulte cómodo. No utilice el equipo a velocidades superiores a 80 r. p. m.

**NOTA:**

Tras la realización de pruebas en este equipo, se ha determinado que respeta los límites de los dispositivos digitales de clase B, de conformidad con el apartado 15 de las normas de la Comisión Federal de Comunicaciones de los Estados Unidos (FCC, por sus siglas en inglés). Estos límites se han concebido para ofrecer una protección razonable contra las interferencias perjudiciales en instalaciones residenciales. Este equipo genera, utiliza y puede radiar energía de radiofrecuencia y, si no se instala y utiliza de conformidad con las instrucciones, puede ocasionar interferencias perjudiciales en las radiocomunicaciones. Sin embargo, no se puede garantizar que no se vayan a producir interferencias en una instalación concreta.

Si este equipo causa interferencias perjudiciales en la recepción de radio o televisión, lo cual puede determinarse apagando y encendiendo el equipo, se recomienda al usuario que trate de corregir las interferencias a través de una o varias de las siguientes medidas:

- Si es posible, reorienta la antena receptora o colóquela en un sitio diferente.
- Si es posible, aumente la separación entre el equipo y el receptor del otro dispositivo.
- Pida ayuda al distribuidor o fabricante.

Cualquier cambio o modificación que el fabricante no haya aprobado de forma expresa puede anular la garantía de este equipo.

**DECLARACIÓN DE EXPOSICIÓN A LA RADIACIÓN DE RADIOFRECUENCIA DE LA FCC:**

Este equipo respeta los límites de exposición a la radiación de radiofrecuencia de la FCC establecidos para un entorno no controlado. Este equipo debe instalarse y utilizarse de tal manera que entre el emisor de radiación y su cuerpo haya una distancia mínima de 20 centímetros (8 pulgadas).

# FUNCIONAMIENTO BÁSICO

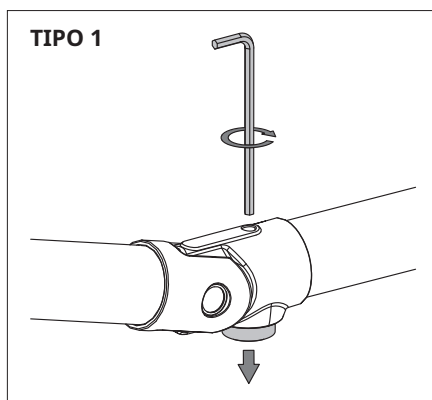
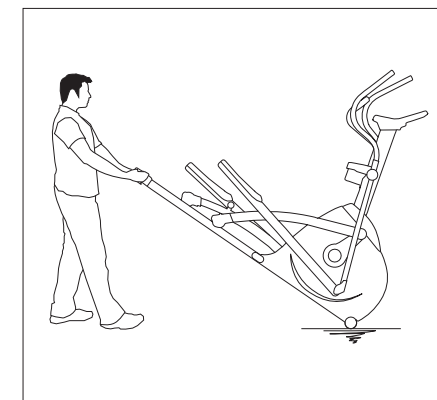


## UBICACIÓN DE LA ELÍPTICA

Coloque la elíptica sobre una superficie llana. Debe haber 0,3 m (un pie) de separación entre el enchufe para el cable de alimentación y la parte delantera de la elíptica. Para facilitar el acceso, debe garantizarse un espacio, preferentemente en ambos lados y en la parte trasera de la elíptica, de al menos 0,6 m (24 pulgadas). No coloque la elíptica en un lugar donde bloquee una rejilla de ventilación o salida de aire. No se debe instalar en un garaje, en un patio cubierto, cerca del agua o al aire libre.

## DESPLAZAMIENTO DE LA ELÍPTICA

La elíptica dispone de un par de ruedas de transporte ubicadas en el estabilizador frontal. Para desplazarla, primero retire la fuente de alimentación, a continuación, sujete firmemente la parte de acero de la parte trasera de la elíptica y con cuidado, inclínela y hágala rodar. Nota: Asegúrese de que sujete la barra de acero y no la cubierta de plástico.

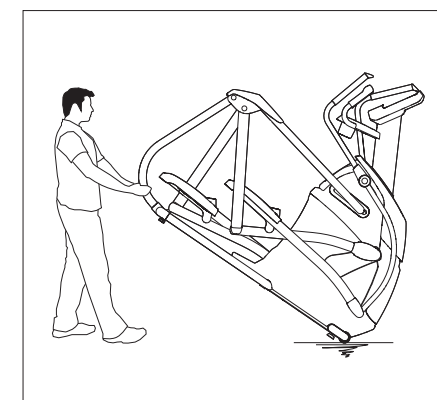


## ADVERTENCIA

Nuestras elípticas son pesadas; desplácelas con cuidado y solicite ayuda si es necesario. Si no sigue estas instrucciones pueden producirse lesiones.

## NIVELACIÓN DE LA ELÍPTICA

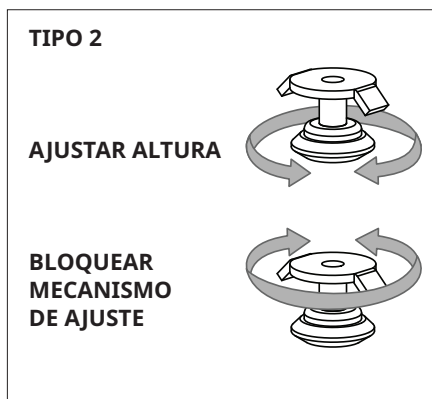
La elíptica debe estar nivelada para sacarle el máximo partido. Una vez que ha colocado la elíptica donde desea utilizarla, levante o baje uno o ambos niveladores ajustables de la parte inferior de la estructura. Se recomienda emplear un nivel de carpintero.



Nuestras elípticas disponen de dos tipos de niveladores:

**TIPO 1:** Levante o baje uno o ambos niveladores ajustables de la parte inferior de la estructura con una llave Allen de 6 mm a través del agujero de acceso.

**TIPO 2:** Levante o baje uno o ambos niveladores ajustables de la parte inferior de la estructura girándolos. Una vez que ha nivelado la elíptica, bloquee los niveladores apretando las tuercas contra la estructura.



## ADVERTENCIA

No utilice el producto si ha sufrido daños (tanto en la máquina como en el cable o el enchufe), si no funciona correctamente o si se ha sumergido en agua. Para solicitar ayuda, consulte la información de contacto en la cara posterior de la TARJETA DE INFORMACIÓN.

## ALIMENTACIÓN ELÉCTRICA

La elíptica funciona con una fuente de alimentación. Esta tiene que enchufarse a la toma situada en la parte frontal de la máquina, al lado del estabilizador. Algunas elípticas tienen un interruptor al lado de la toma de corriente. Asegúrese de que está en la posición ON (encendido). Desenchufe el cable cuando no use la bicicleta. NOTA: Algunas elípticas tienen un interruptor ON/OFF (encendido/apagado) detrás de la consola.



## USO CORRECTO

Esta bicicleta elíptica utiliza un sistema de frenado independiente de la velocidad. El usuario puede ajustar la resistencia del sistema de frenado independientemente de las RPM del eje de la biela.

La precisión de la potencia (vatios) de esta bicicleta elíptica se considera de Clase A, lo que significa que la potencia que se muestra en la consola se incluye en más o menos el 10 % de la potencia mecánica real que se suministra a la biela. Se realizaron pruebas a 50, 60 y 70 RPM y a varios niveles de resistencia, de modo que la alimentación de entrada oscilara entre los 100 y 400 W.

Este equipo ofrece varias posiciones para los pies. Al desplazar el pie hacia delante a la parte frontal del pedal, se aumenta la altura del paso, lo que provoca una sensación similar a la de una máquina de step. Si coloca el pie en la parte trasera del pedal, se reduce la altura del paso y la sensación es más de deslizamiento, similar a un paseo o una carrera suave. Asegúrese siempre de que el pie esté colocado totalmente en el pedal.

Con este equipo puede pedalear tanto hacia delante como hacia atrás para añadir variedad a su rutina de ejercicio y centrarse en otros grupos musculares principales de la pierna, como los isquiotibiales y los músculos de la pantorrilla.

Para determinar cuál es la posición correcta para realizar el ejercicio, colóquese sobre los pedales con los pies situados en el centro de estos. Mantenga las rodillas ligeramente flexionadas en todo momento. Debería ser capaz de pedalear sin tener que bloquear las rodillas (flexionándolas hasta el tope) ni de balancear el peso del cuerpo de un lado al otro.

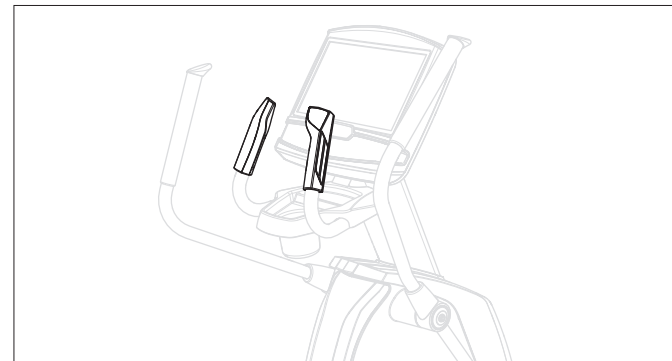
## CÓMO SUBIR Y BAJAR DE LA ELÍPTICA

1. Colóquese en el lateral de la elíptica, al lado del pedal más bajo.
2. Sujete los dos manillares fijos y, al mismo tiempo, coloque el pie en el pedal más bajo y suba.
3. Espere hasta que la elíptica encuentre su posición de reposo y, después, coloque el otro pie en el pedal opuesto.
4. Para bajarse, espere a que los pedales estén completamente quietos, retire el pie del pedal más alto y apóyelo en el suelo, en el lateral de la elíptica en el que se encuentra el pedal más bajo.

## FUNCIONAMIENTO DEL CAMBIO DE INCLINACIÓN ELÉCTRICO

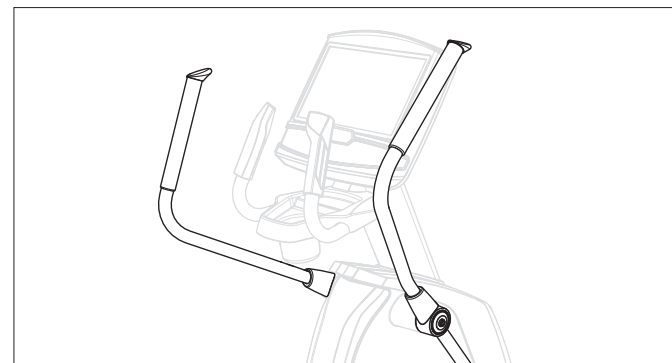
Algunos modelos ofrecen la inclinación eléctrica para añadir variedad a su rutina de ejercicios. La inclinación se puede ajustar con los botones de la consola.

Si se pulsa el botón de parada para pausar un programa, el motor de inclinación permanecerá en su posición actual. Para volver a la inclinación 0 %, pulse INICIAR/IR y cambie la inclinación a 0 % antes de bajarse. Si pulsa el botón de PARADA durante tres segundos para restablecer la consola, la inclinación también volverá al 0 %.



### EJERCICIOS PARA LA PARTE INFERIOR DEL CUERPO

Para ejercitar principalmente la parte inferior del cuerpo, haga lo siguiente: Sujete los manillares fijos y empuje los pedales con los pies para completar su recorrido.



### EJERCICIOS PARA LA PARTE SUPERIOR DEL CUERPO

Para ejercitar principalmente la parte superior del cuerpo, haga lo siguiente: Situado sobre los pedales, empuje cada uno de los manillares móviles utilizando los músculos de los brazos, de manera que los pedales se muevan y completen su recorrido.

### EJERCICIOS PARA TODO EL CUERPO

Para ejercitar el cuerpo entero (la parte superior y la inferior), haga lo siguiente: Utilice tanto los músculos de los brazos como los de las piernas para que los pedales realicen su recorrido completo o alterne ejercicios de la parte superior con ejercicios de la parte inferior del cuerpo.

# SOLUCIÓN DE PROBLEMAS

## PREGUNTAS HABITUALES SOBRE EL PRODUCTO

### ¿SON NORMALES LOS RUIDOS DE MI ELÍPTICA?

Nuestras elípticas son unas de las más silenciosas del mercado porque utilizan sistemas de transmisión por correa y una resistencia magnética sin fricción. Utilizamos cojinetes y correas de la mejor calidad para minimizar el ruido. No obstante, debido a que el propio sistema de resistencia es muy silencioso; en ocasiones, oírás otros pequeños ruidos mecánicos. A diferencia de otras tecnologías más antiguas y ruidosas, nuestras elípticas no presentan ruidos de ventiladores, correas de fricción o alternadores para enmascarar estos sonidos. Estos ruidos, que pueden ser intermitentes o no, son normales. Se deben a la transferencia de elevadas cantidades de energía a un volante que gira a gran velocidad. Los cojinetes, las correas y otras partes giratorias producirán algún ruido que se transmitirá a través de la carcasa y el bastidor. Del mismo modo, debido a la dilatación térmica de las piezas, es normal que estos sonidos varíen ligeramente durante un ejercicio y a lo largo del tiempo.

### ¿POR QUÉ LA ELÍPTICA QUE ME HAN ENVIADO HACE MÁS RUIDO QUE LA QUE HABÍA EN LA TIENDA?

Todos los equipos de deporte parecen más silenciosos en una sala de exposición de una tienda grande porque normalmente hay más ruido de fondo que en su casa. También habrá menos reverberación en un suelo de hormigón enmoquetado que en uno recubierto con paneles de madera. A veces, una esterilla pesada de goma contribuirá a reducir la reverberación por el suelo. Si un equipamiento deportivo se coloca cerca de una pared, habrá más ruido reflejado.

### ¿CUÁNTO TIEMPO DURARÁ LA CORREA DEL MOTOR?

En la simulación por ordenador que llevamos a cabo, se estimó un funcionamiento de prácticamente miles de horas sin necesidad de mantenimiento. En la actualidad, es común el uso de correas en usos mucho más exigentes como en los motores de motocicletas.

### UNA VEZ MONTADA, ¿PUEDO DESPLAZAR LA ELÍPTICA DE FORMA SENCILLA?

La elíptica dispone de un par de ruedas de transporte ubicadas en el estabilizador frontal. Siga los pasos de la sección DESPLAZAMIENTO DE LA ELÍPTICA para transportar su elíptica. Es importante que la coloque en un espacio acogedor y cómodo. La elíptica está diseñada para ocupar el menor espacio posible. Es muy habitual colocar la elíptica enfrente de la televisión o de un ventanal. En la medida de lo posible, evite instalarla en un sótano sin terminar. Para convertir el ejercicio en una actividad diaria apetecible, la elíptica debería colocarse en un lugar agradable.

### ¿PUEDO PEDALEAR HACIA ATRÁS EN MI ELÍPTICA?

La elíptica le permite pedalear tanto hacia delante como hacia atrás para ejercitar y fortalecer una mayor variedad de músculos.

## SOLUCIÓN DE PROBLEMAS BÁSICOS

**PROBLEMA:** La consola no se enciende.

**SOLUCIÓN:** Verifique lo siguiente:

- La toma de corriente a la que la máquina está conectada funciona. Compruebe que el disyuntor no ha saltado.
- Está usando el cable de alimentación correcto. Utilice únicamente el cable de alimentación incluido. Pruebe la tensión del cable de alimentación para verificar que suministra la tensión de salida especificada en la etiqueta.
- El cable de alimentación no está estrangulado ni dañado, y está conectado adecuadamente a la toma de corriente Y a la máquina.
- El interruptor está en la posición ON (encendido), es posible que este no se incluya en todos los modelos.
- Apague la máquina y desconecte el cable de alimentación. Retire la consola y compruebe que las conexiones a esta son seguras y no están dañadas o estranguladas. Desconecte y vuelva a conectar el cable de la consola.

**PROBLEMA:** La consola se enciende, pero no marca la distancia, la potencia ni las RPM.

**SOLUCIÓN:** Verifique lo siguiente:

- Apague la máquina y desconecte el cable de alimentación. Retire la consola y compruebe que las conexiones a esta son seguras y no están dañadas o estranguladas. Desconecte y vuelva a conectar el cable de la consola.
- Si después de realizar estos pasos, el problema no se soluciona, es posible que el sensor de velocidad o el imán se hayan desplazado o dañado.

**PROBLEMA:** Parece que los niveles de resistencia no son correctos: son demasiado difíciles o demasiado fáciles.

**SOLUCIÓN:** Verifique lo siguiente:

- Está usando el cable de alimentación correcto. Utilice únicamente el cable de alimentación proporcionado.
- Restablezca la consola para que la resistencia vuelva a la posición predeterminada. Reiniciela y vuelva a probar los niveles de resistencia.

**PROBLEMA:** Aparentemente, las ruedas del rodillo dejan partículas en los raíles guía.

**SOLUCIÓN:** Se debe al desgaste habitual de las ruedas de la elíptica. Para retirarlo simplemente limpie las ruedas del rodillo y los raíles guía con un trapo húmedo.

**PROBLEMA:** La elíptica emite un chirrido.

**SOLUCIÓN:** Verifique lo siguiente:

- La elíptica está colocada sobre una superficie llana.
- Afloje todos los pernos que haya colocado durante el proceso de montaje, lubrique las juntas y las roscas, y vuelva a apretar los pernos. Si los pernos se aflojan, aplique fijador de roscas azul y vuelva a apretarlos.
- Aplique lubricante de litio en la superficie superior de los raíles de guía.

### PARA ELÍPTICAS CON ALTAVOCES:

**PROBLEMA:** Cuando se conecta un reproductor de MP3, los altavoces no suenan o emiten un sonido distorsionado.

**SOLUCIÓN:** Asegúrese de que el cable de audio está bien enchufado tanto a la consola como a la toma del reproductor de MP3.





## SOLUCIÓN DE PROBLEMAS

### RITMO CARDIACO (SOLO AGARRES DE MEDICIÓN)

Compruebe la zona donde se está entrenando para ver si hay fuentes de interferencia como tubos fluorescentes, ordenadores, vallado subterráneo, sistemas de seguridad del hogar o equipos eléctricos con motores de gran tamaño. Estos dispositivos pueden provocar lecturas irregulares de la frecuencia cardíaca.

Puede experimentar lecturas irregulares bajo las siguientes condiciones:

- Agarrar en exceso las asas de medición de la frecuencia cardíaca. Trate de mantener una presión moderada al sujetar las asas de medición de la frecuencia cardíaca.
- Movimiento y vibración constantes debido al agarre permanente de las asas de medición mientras se entrena. Si recibe lecturas irregulares de su frecuencia cardíaca, trate de agarrar las asas únicamente lo necesario para monitorizar su frecuencia cardíaca.
- Si respira fuertemente durante un entrenamiento.
- Si tiene las manos oprimidas por llevar un anillo.
- Si tiene las manos secas o frías. Trate de humedecer las palmas frotándolas para calentarlas.
- Cualquier persona con una arritmia severa.
- Cualquier persona con arteriosclerosis u otro problema de circulación sanguínea periférica.
- Cualquier persona con la piel especialmente gruesa en la palma donde se efectúa la medición.

### ¿NECESITA AYUDA?

Si esta sección no pone remedio al problema, deje de usar el equipo y apáguelo.



**Para solicitar ayuda, consulte la información de contacto de la TARJETA DE INFORMACIÓN.**

Puede que se le solicite la siguiente información cuando llame. Tenga esta información a su disposición:

- Nombre de modelo
- Número de serie
- Prueba de compra (recibo o extracto de la tarjeta de crédito)

Estas son algunas de las preguntas que suelen hacerse para la solución de problemas:

- ¿Cuánto tiempo lleva experimentado este problema?
- ¿Ocurre este problema siempre que la utiliza?  
¿Con cualquier usuario?
- Si escucha un ruido, ¿este viene de la parte delantera o trasera? ¿Qué tipo de ruido es (zumbido, chirrido, etc.)?
- ¿El mantenimiento de la máquina se ha realizado de acuerdo con el plan de MANTENIMIENTO?

La respuesta a estas y a otras preguntas permitirá a los técnicos enviar los recambios adecuados y prestar el servicio necesario para que la elíptica vuelva a funcionar y pueda volver a hacer ejercicio.

Puede encontrar más sugerencias para solucionar problemas en la sección de atención al cliente de nuestro sitio web.

## MANTENIMIENTO

### ¿QUÉ TIPO DE MANTENIMIENTO RUTINARIO ES NECESARIO?

Se requiere un mantenimiento y una limpieza mínimos. Seguir este plan aumentará la vida útil de la máquina.

### ¿CÓMO LIMPIO MI ELÍPTICA?

Límpiala únicamente con jabón y agua. No utilice nunca disolventes en las piezas de plástico. La limpieza de la elíptica y el entorno en el que se usa minimizará los problemas de mantenimiento y las llamadas al equipo de mantenimiento. Por este motivo, se recomienda seguir este plan de mantenimiento preventivo.

## ADVERTENCIA

Para desconectar la elíptica de la corriente, saque el cable de alimentación del enchufe.

## PLAN DE MANTENIMIENTO

TAREA	FRECUENCIA
<p>Limpiar la elíptica:</p> <ul style="list-style-type: none"><li>• Desconecte el cable de alimentación del enchufe para apagar la elíptica.</li><li>• Limpie la elíptica con un trapo húmedo. No emplee nunca disolventes, puesto que podrían dañar la elíptica.</li><li>• Examine el cable de alimentación. Si el cable de alimentación está dañado, consulte la información de contacto en la cara posterior de la TARJETA DE INFORMACIÓN para reemplazarlo.</li><li>• Asegúrese de que el cable de alimentación no ha quedado bajo la elíptica o en ningún otro lugar en el que pueda estrangularse o seccionarse.</li></ul>	DIARIA
<p>Limpiar la zona bajo la elíptica:</p> <ul style="list-style-type: none"><li>• Apague la elíptica.</li><li>• Desplace la elíptica a otra ubicación.</li><li>• Limpie o aspire las partículas de polvo u otros objetos que puedan haberse depositado bajo la elíptica.</li><li>• Vuelva a colocar la elíptica en su ubicación previa.</li></ul>	SEMANAL
<ul style="list-style-type: none"><li>• Examine y apriete todos los pernos del montaje y los pedales de la máquina.</li><li>• Limpie cualquier resto de las ruedas de los pedales de los brazos y los raíles guía.</li></ul>	MENSUAL





---

MATRIX

